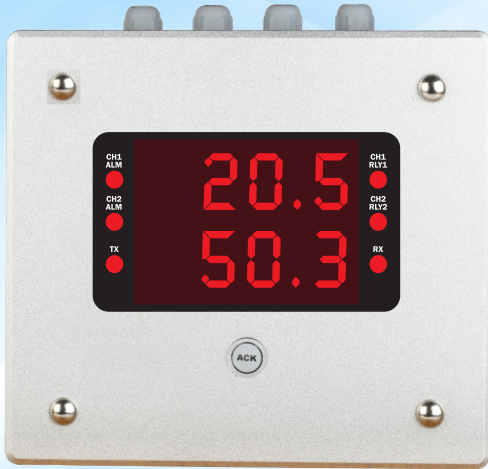


# CLEAN ROOM PROCESS MONITOR-1"-2 PV



## Features

- 2 Channel Multi-drop connection, saves cabling
- Ring Topology possibility for Redundancy
- One Second Scan time for each slave
- Password protected programming
- Isolated RS-485 communication ports
- 2 Nos. Optional Relays
- Easy programming with 3 keys on front panel
- Built-in Buzzer/Relay for alarm set points with alarm acknowledgment facility

## Applications

- Clean room application in Pharmaceutical Industry
- Pharma Environments monitoring applications.
- Healthcare, Hospitals, Shopping Malls
- HVAC (Heating, ventilation, Air conditioning, Cooling).
- Cold storage, chilling Plant

## TECHNICAL SPECIFICATIONS

### Input :

**RS-485 Slave Port** : 2 Nos. Slave device with Modbus-RTU protocol

### Slave Port :

2 Nos. Slave device having 1 P. V. OR 1 No. Slave device having 2 P. V.

### Range & Resolution :

**Range** : User settable within 4 digits (-999 to 9999)  
**Resolution** : 1, 0.1, 0.01, 0.001

### Indication / Alarm / Control :

**Display** : 2x4 digit Seven Segment 1" Red LED display  
**Status Indication** : 2 LEDs AL1 And AL2 for Alarms and COM LED for communication  
**Audio Indication** : Integrated Buzzer for Alarm Limits violation

### Communication :

**RS-485 Master Port** : Isolated RS-485 communication with Master Modbus RTU Protocol  
**Programmable** : Baud rate (9600), Parity (O/E/N), Data bits (8), Stop bits (1/2)  
**No. of slave ID** : 1-250

### Error Monitoring :

**Indications** : Over / Open / Communication Error

### Programmable Parameters :

**Set Point** : 2 Nos. AL1, AL2 User Programmable  
**Setting** : 3 Nos. push button front keys (with password protection)  
**Alarm Logic** : High or Low user programmable

### Output (Optional) :

**Relay** : 2 Nos. DPDT Relay or Rating 2A/24VDC, User selectable.

### Environmental :

**Operating Temp.** : 0 to 50°C  
**Humidity** : Below 95% rH, Non condensing.

### Electrical :

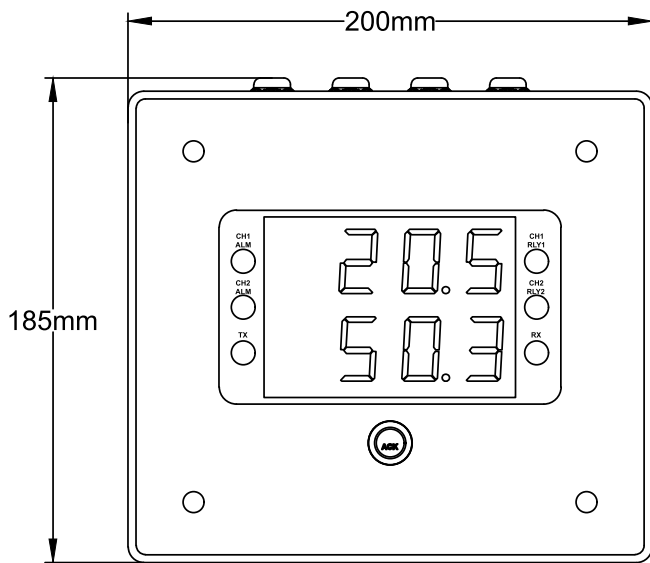
**Supply Voltage** : 18 VDC tp 36 VDC, Typically 24VDC  
**Wattage** : Less than 1.2 watt at 24VDC

### Dimensions

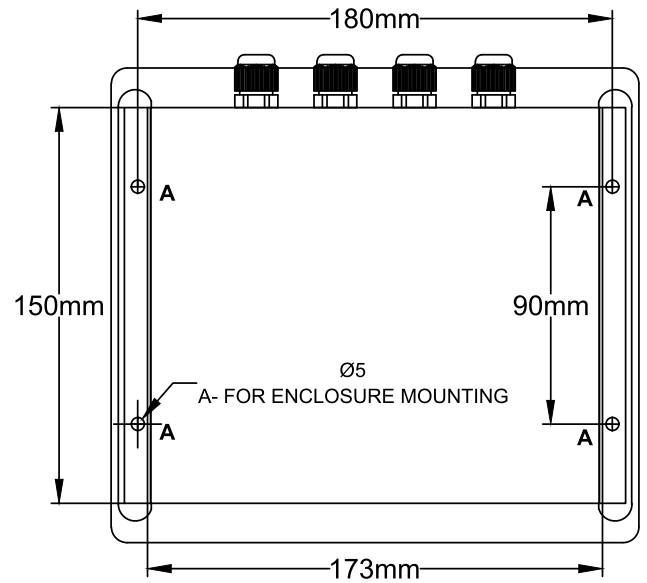
**Flush mounting plate** : Aluminium SS-304  
**Front plate size** : 185 mm(H) x 200 mm(W)  
**Back enclosure** : MS with powder coated  
**Overall Dimension** : 185mm(H) x200 mm (W) x 50 mm(D)  
**Mounting** : Modular wall mounting with SS or Aluminium front

# DIMENSIONAL DETAILS

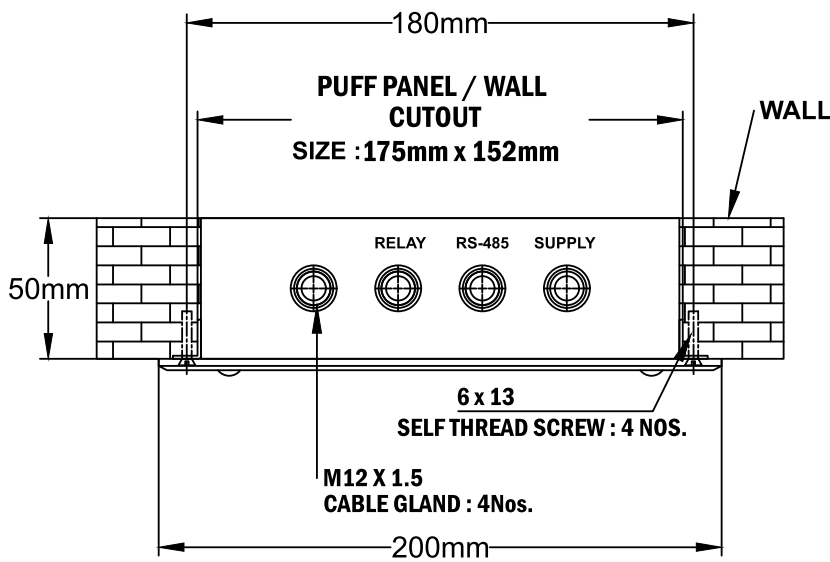
## FRONT VIEW



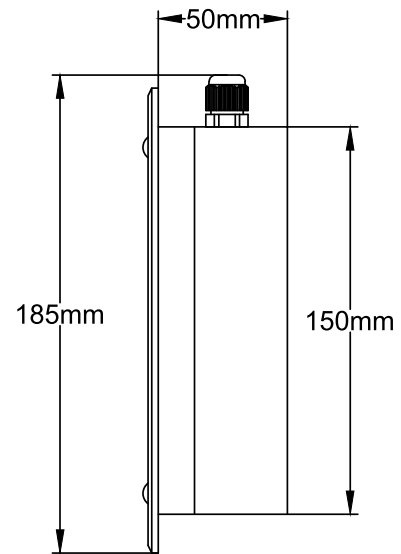
## BACK VIEW



## TOP VIEW



## SIDE VIEW



# ORDERING INFORMATION

CRM	A	B	C	D	E
	<b>A) Model No.</b> 1) 485-32	<b>B) O<sub>2</sub> Sensor</b> 1) Integrated 2) Remote	<b>C) Output</b> 1) None 2) 2 Nos. DPDT Relay	<b>D) Communication Port</b> 1) None 2) RS-485 serial port	<b>E) Communication Software</b> 1) None 2) 21 CFR Part II Compliance. SCADA software (Communication Software is available if RS-485 is ordered)

\* Before placing order; Refer the above ordering information or Contact below address for assistance.

Manufactured by :

**AMBETRONICS ENGINEERS PVT. LTD.**

17-B, Tarun Industrial Estate, Mogra Pada, New Nagardas Road, Andheri (East), Mumbai - 400 069, India.  
 Tel.: + 91-22-61673000/31/32/33, 28371143 • Mob. : 9324571143 • Website : www.ambetronics.com  
 E-mail : sales1@ambetronics.com • sales2@ambetronics.com • sales9@ambetronics.com

